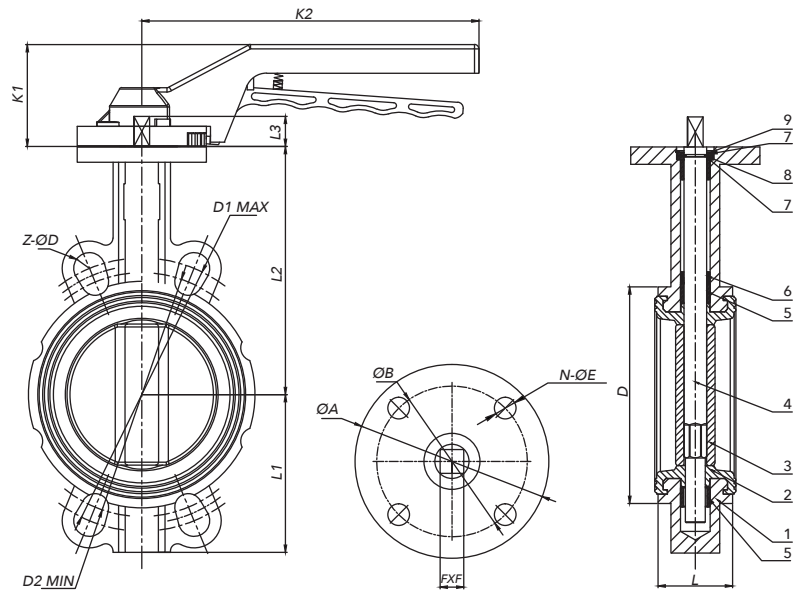




Type 203



Standard Material Specifications

No.	Part Name	Materials
1	Body	Ductile Iron
2	Seat	EPDM
3	Disc	CF8M
4	Valve shaft	2Cr13
5	Bushing	PTFE/Brass
6	Y-ring	EPDM
8	Gasket	45#
7	Shaft circlip	65Mn
9	Hole circlip	65Mn

Adoptive standard

- Upper flange standard : ISO5211
- Flange standard : Universal Flange for PN16, ANSI150#, JIS10K
- Face to face : ISO 5752-20 sequence
- Pressure test conform API598
- Pressure 16 BAR

Torque value:

- the torque value (MD) in the table is start torque value for liquid and lubricated media without safety factor.
- Torque value for powder = MDX1.3
- Torque value for dry air or high viscosity medial = MDX1.2

Dimension

DN	L	L1	L2	L3	D	D1 MAX	D2 MIN	ØA	ØB	FXF	Z-ØD	N-ØE	K1	K2
DN 40	33 ⁻⁰ _{-0.5}	64	103	16	81.5	110	95	70	50	9	4-M16	4-Ø7	72	188
DN 50	43 ⁻⁰ _{-0.5}	66	131.5	16	92.5	125	105	70	50	9	4-M16	4-Ø7	72	188
DN 65	46 ⁻⁰ _{-0.5}	86	140	16	117	145	130	70	50	9	4-M16	4-Ø7	72	188
DN 80	46 ⁻⁰ _{-0.5}	94	154	16	131	160	145	70	50	9	8-M16	4-Ø7	72	188
DN 100	52 ⁻⁰ _{-0.5}	110	173	20	151	180	165	90	70	11	8-M16	4-Ø10	76	238
DN 125	56 ⁻⁰ _{-0.5}	128	189	25	183.5	210	200	90	70	14	8-M16	4-Ø10	76	238
DN 150	56 ⁻⁰ _{-0.5}	140.5	199	30	216	240	230	90	70	14	8-M20	4-Ø10	76	238
DN 200														

KV

DN (mm)	(in)	20°	30°	40°	50°	60°	70°	80°	90°
40	1½	-	2.4	8.6	16.1	22.5	35.3	46.0	53.5
50	2	1.3	8.6	13.9	23.5	40.7	53.5	69.6	91.0
65	2½	2	10	24	45	82	123	182	230
80	3	9	26	54	102	161	257	353	449
100	4	14	30	70	139	193	364	589	856
125	5	28	70	139	246	375	567	931	1081
150	6	37	96	214	385	685	963	1445	2247
200	8	46	193	375	621	1070	1712	3210	4280

Torque (MD)

DN (mm)	(in)	6 (bar)	10 (bar)	16 (bar)
40	1½	8	9	13
50	2	9	11	15
65	2½	20	23	29
80	3	20	23	33
100	4	36	42	53
125	5	43	49	68
150	6	73	85	90
200	8	119	140	163

(Unit) : Nm

*last updated 06/19